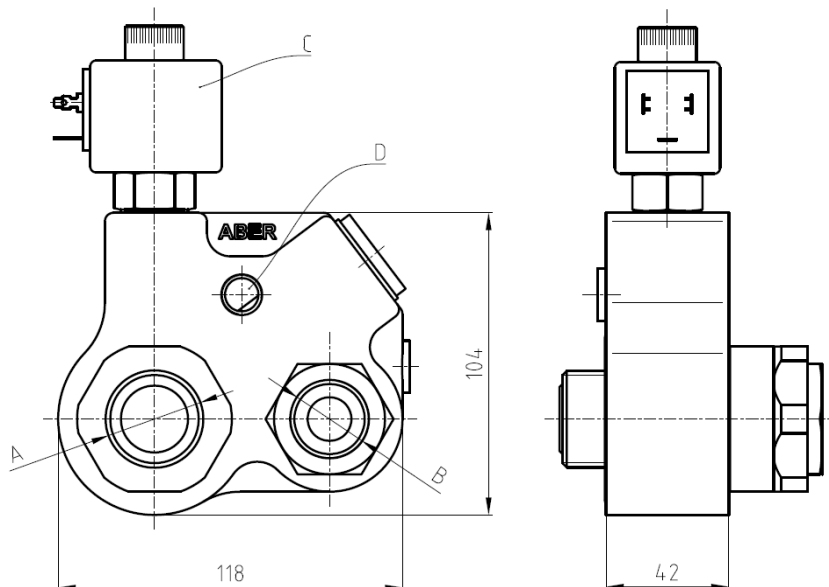
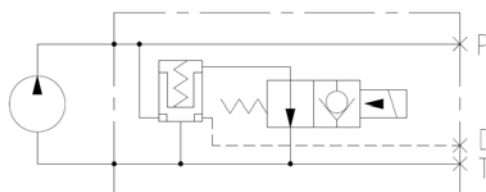


**Main Dimensions**



C – Solenoid 24VDC  
D – Drain plug 1/4”G



(Dimensions in mm)

**Main Data**

Bypass	BP3060	BP80	BP110	BP3060	BP80	BP110
	L	L	L	H	H	H
Max continuous pressure (bar)	210	210	210	350	350	350
Max intermittent pressure (bar)	250	250	250	400	400	400
Solenoid voltage (VDC)	24	24	24	24	24	24
Weight (kg)	3,5	3,5	3,5	3,5	3,5	3,5
A – Admission thread (G)	1”	1-1/4”	1-1/2”	1”	1-1/4”	1-1/2”
B – Pressure thread (G)	3/4”	1”	1”	3/4”	1”	1”

**How to order:**

**Example:** Bypass valve to work in pumps from 30cc to 60cc; pressures 350/400 bar → BP3060H

**Important notes:**

- Every time the vehicle is in motion; the solenoid should be off, this way allowing the bypass to work correctly.
  - When an open centre circuit valve is being used in the system and the solenoid is off (bypass function), at least 5 l/min should come out from the pressure line directly to the tank. This procedure will prevent the hydraulic system from overheating while the vehicle is working.
  - If a closed centre circuit valve is installed in the system a tube/pipe must be installed from the drain point of the bypass valve directly to the tank.
- If these instructions aren't followed, the system will overheat and cause its rupture.  
-Also available in 12VDC.

ABER is constantly engaged in improving its products and, therefore, reserves itself the right to modify without any further notice the characteristics shown



**ABER - Embragens e Comandos Hidráulicos - A. B. LDA**

Rua Francisco de Almeida, Nº 30 – Vila Nova da Telha – 4470 MAIA - Portugal

Telephone: +351.22.9438070 Fax: +351.22.9420823 e-mail: [aber@aber.pt](mailto:aber@aber.pt) <http://www.aber.pt>